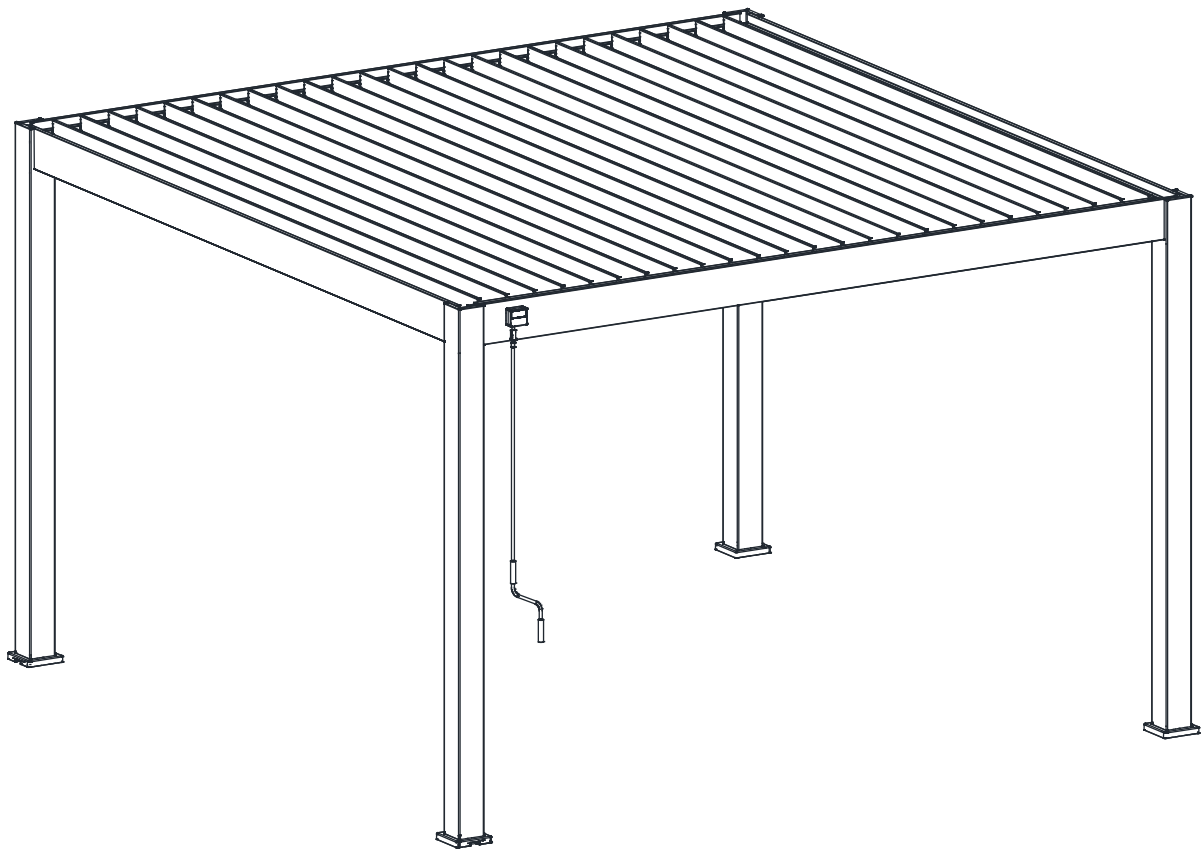




Installation Guide for Pergola 4m x 4m



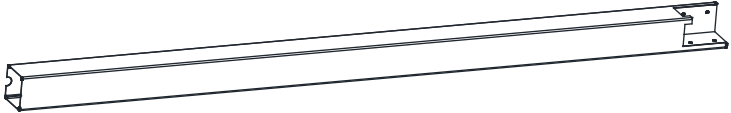
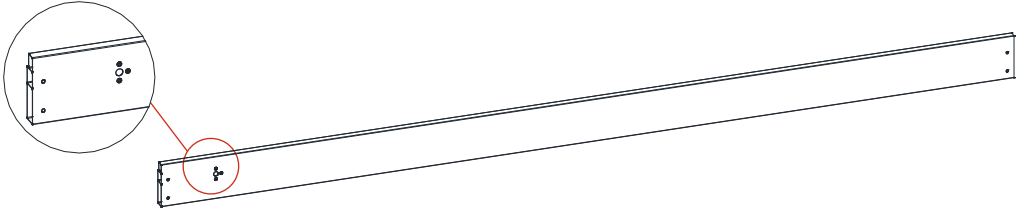
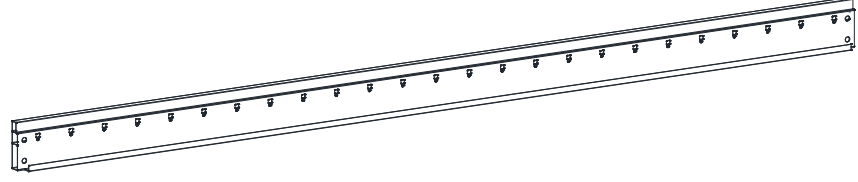
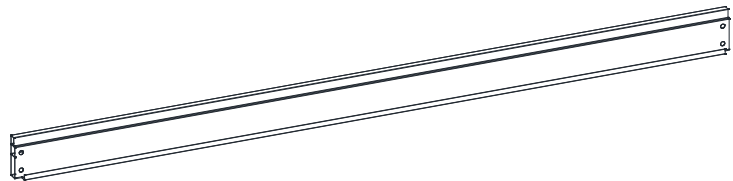
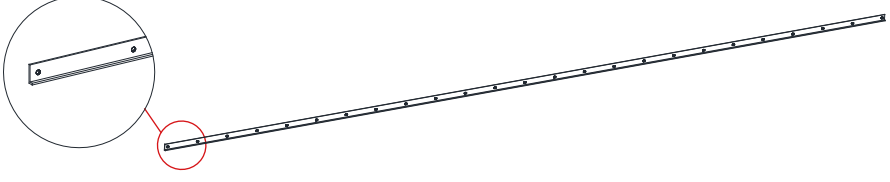


Distributed by:

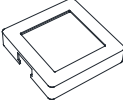
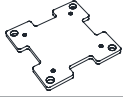
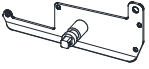
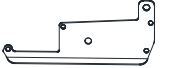
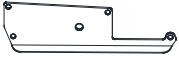

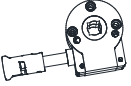
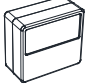





Outdoor Creation BV















Zwartrijt 18
5056 DD
Berkel-Enschot
The Netherlands
T. +31(0)132070090

Service request: servicentl@outdoor-creation.com
General questions: customersupportnl@outdoor-creation.com

Carton	RET	QTY		REF	QTY		REF	QTY
1/5	(A0)	4		(I0)	4		(J0)	4
	(T0)	16		(X0-1)	16			
2/5	(B0-1)	1		(B0-2)	1		(C0)	2
	(F0)	1		(H0)	1		(N0)	1
	(O0)	1		(P0)	1		(Q0)	16
	(R0)	16		(S0)	50		(U0)	74
	(U0-1)	25		(V0)	75		(X0)	49
	(X0-2)	25		(Y0)	3		(Z0-1)	1
	(Z0-2)	1		(Z0-3)	1		(Z0-4)	1
	(Z0-5)	1		(Z0-6)	1			
3/5	(G0)	7		(K0)	1		(L0)	24
	(L0-1)	25		(M0)	49		(W0)	200
4/5	(G0)	9						
5/5	(G0)	9						

REF	PICTURE	QTY
A0		4PCS
B0-1		1PCS
B0-2		1PCS
C0		2PCS
F0		1PCS
G0		25PCS
H0		1PCS

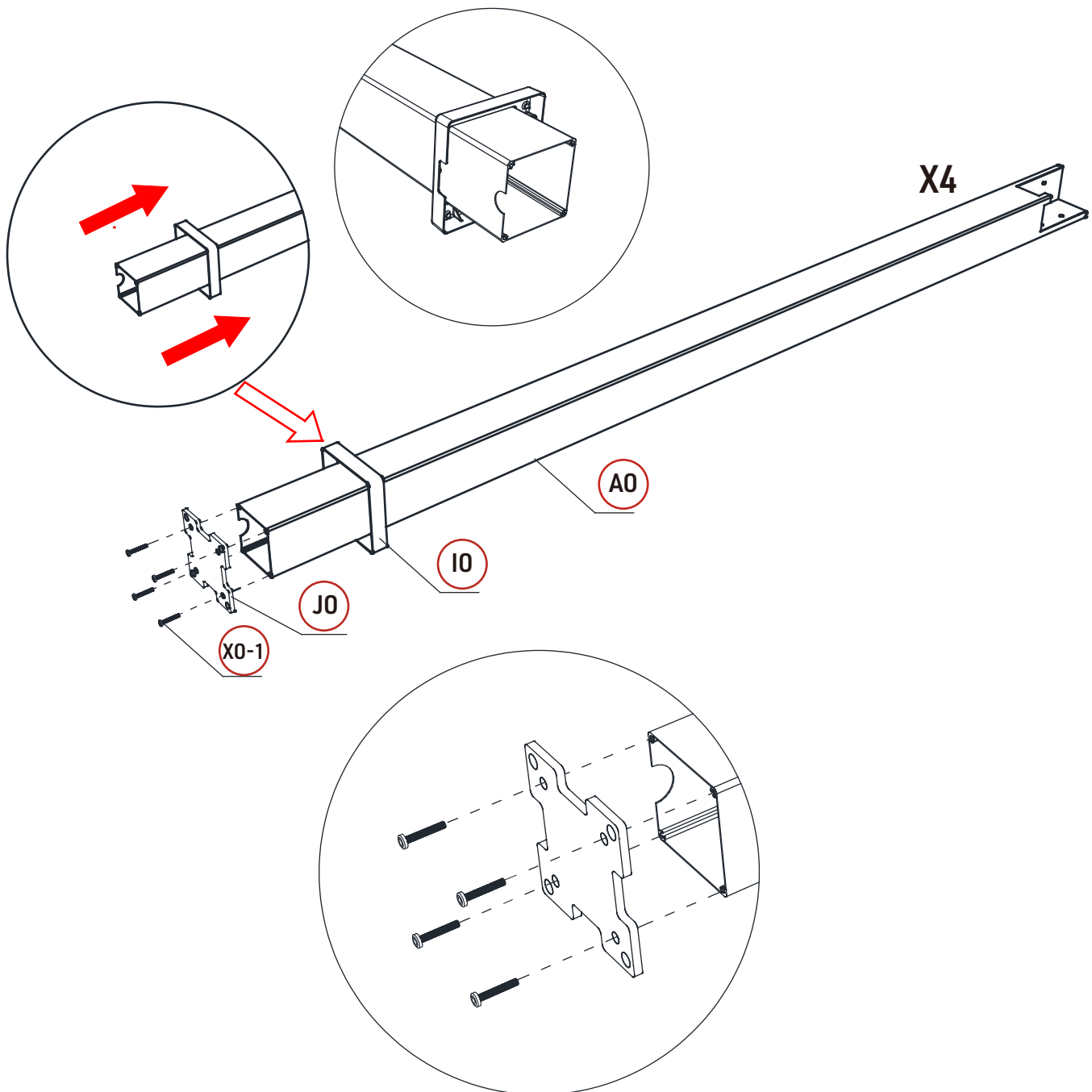
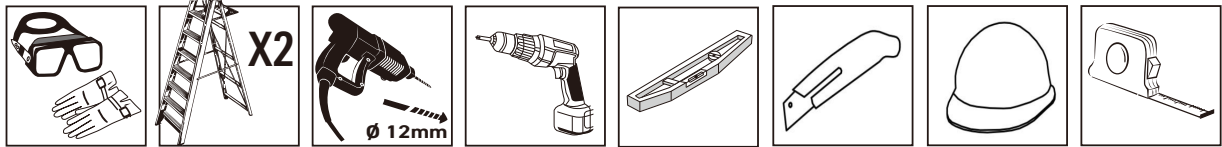
REF	PICTURE	QTY
IO		4PCS
JO		4PCS
KO		1PCS
LO		24PCS
LO-1		25PCS
MO		49PCS
NO		1PCS
OO		1PCS
PO		1PCS
QO		16PCS
RO		16PCS
SO		50PCS
TO	 8X80	16PCS

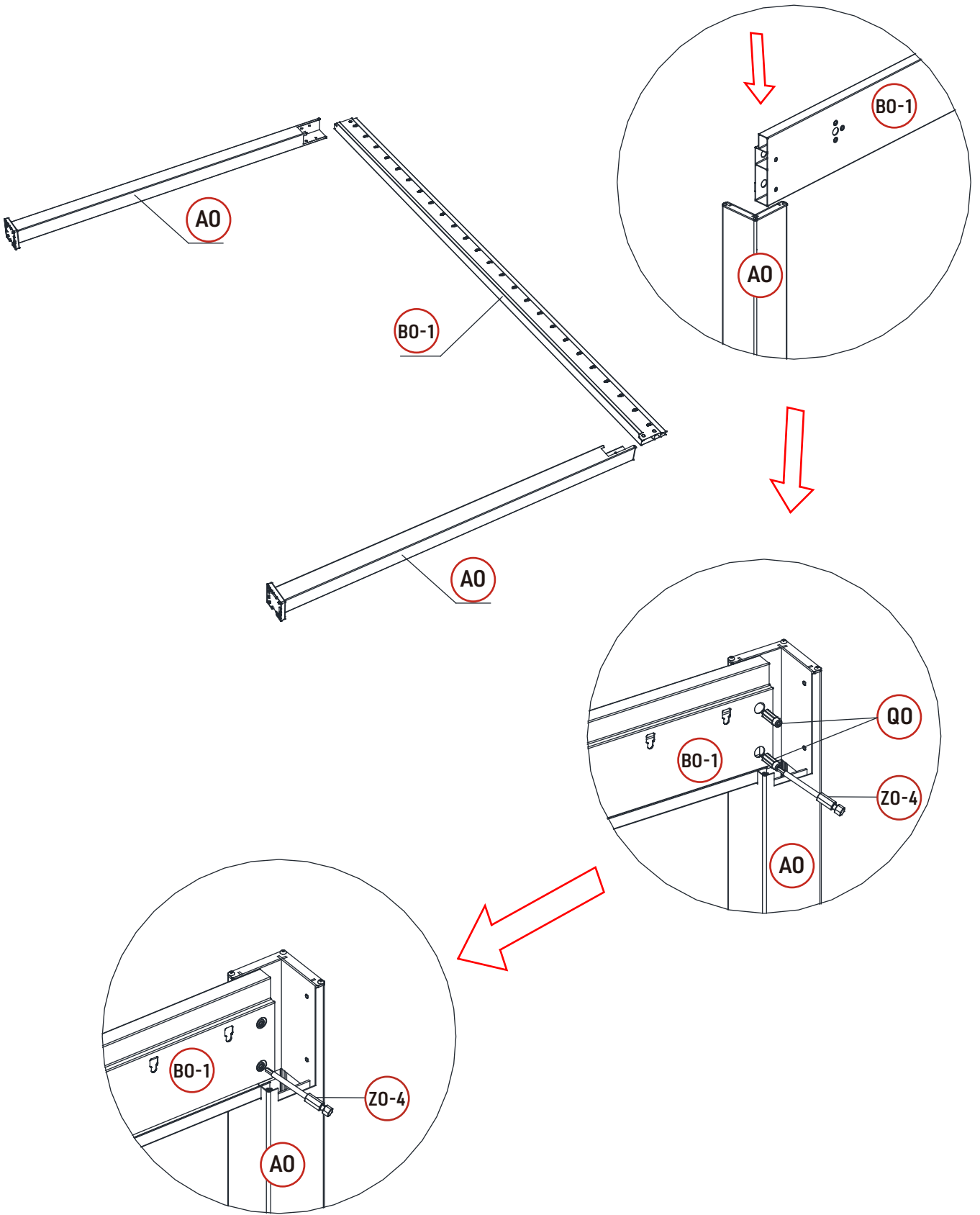
REF	PICTURE	QTY
UO	 lock nut	74PCS
UO-1	 plastic nut	25PCS
VO		75PCS
WO	 4X16	200PCS
XO	 6X40	49PCS
XO-1	 6X35	16PCS
XO-2	 6X20	25PCS
YO	 6X45	3PCS
ZO-1	 4mm	1PCS
ZO-2	 4mm	1PCS
ZO-3	 6mm	1PCS
ZO-4	 6mm	1PCS
ZO-5	 10mm	1PCS
ZO-6	 T20	1PCS

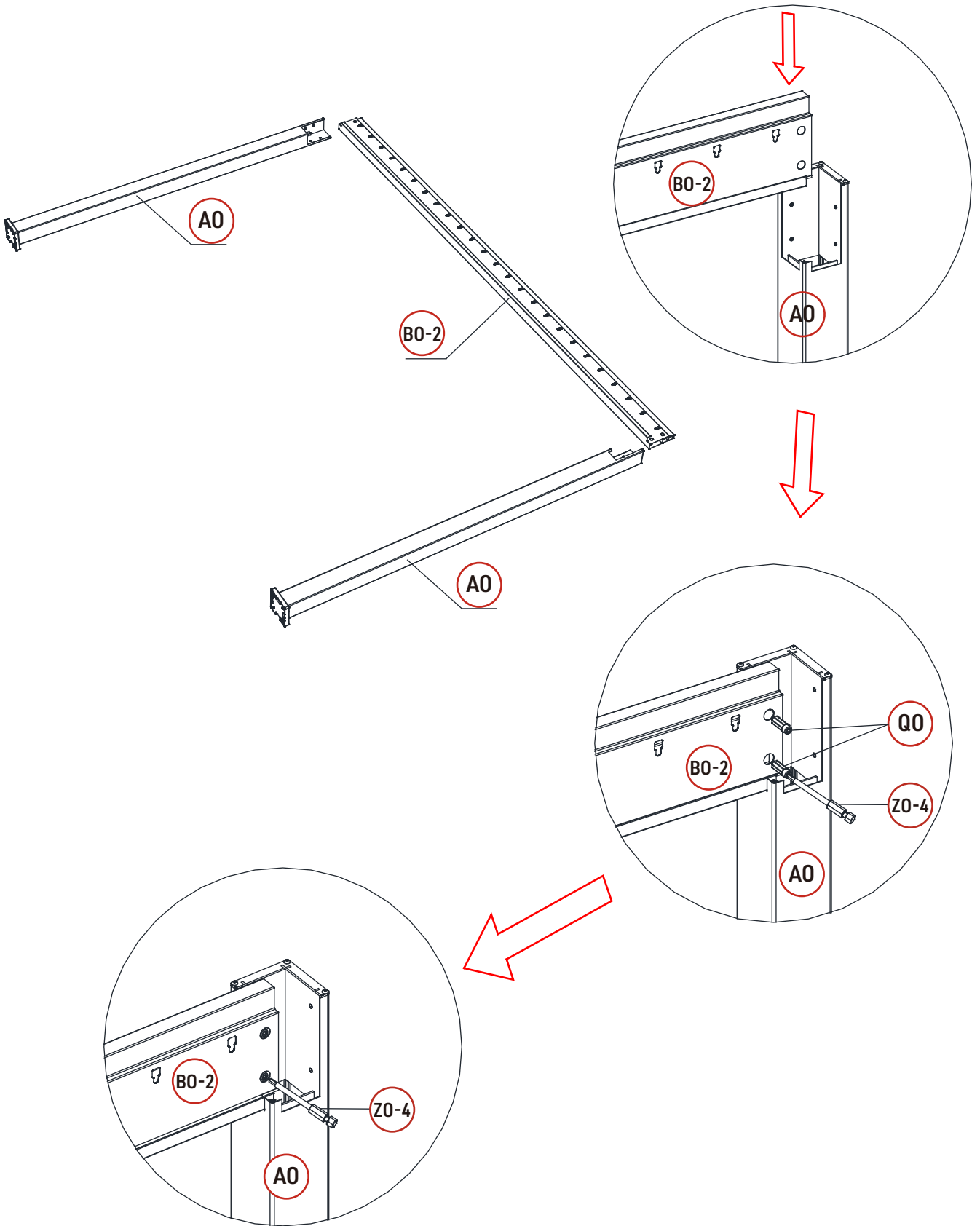
ATTENTION!!!

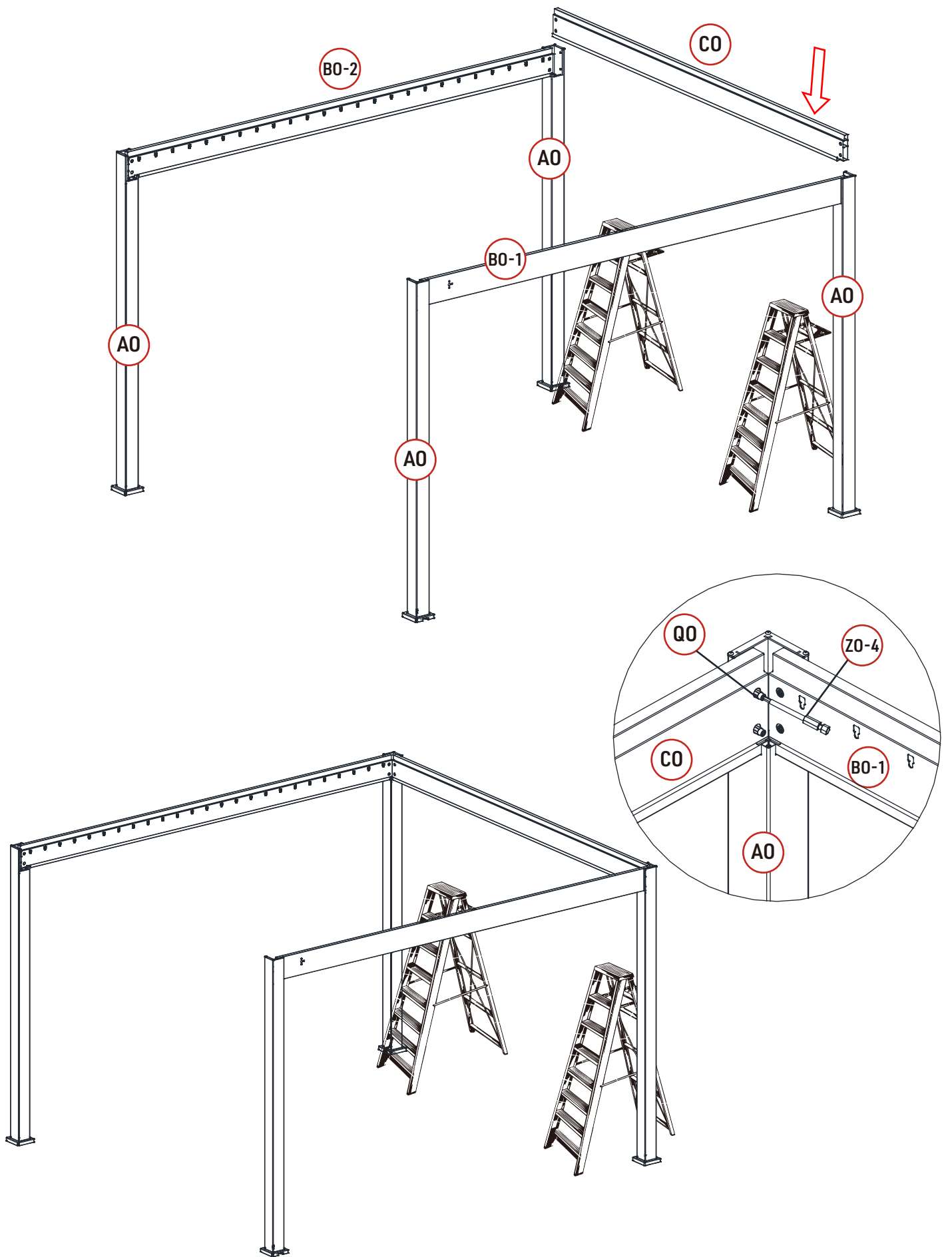
Please open the louvers to vertical in winter and snowing weather to protect your pergola!

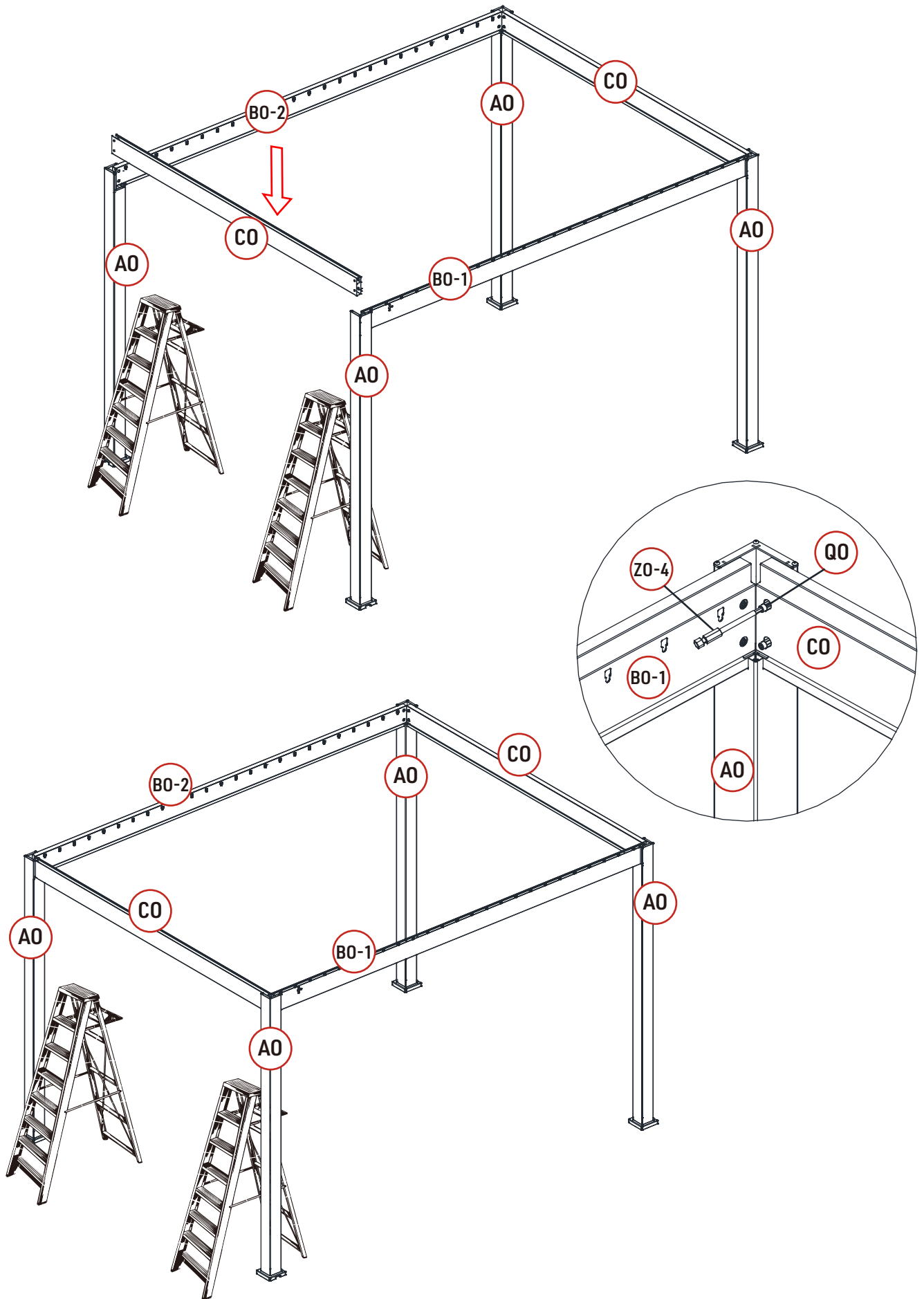
Tools Required for Installation



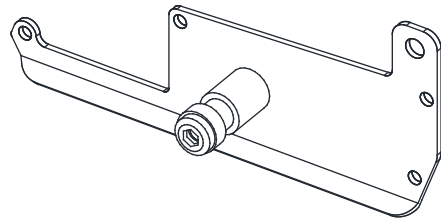
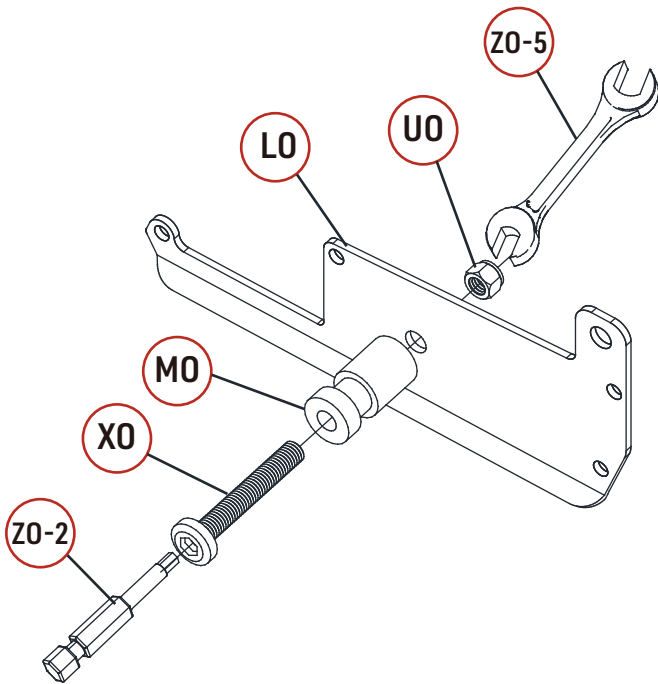
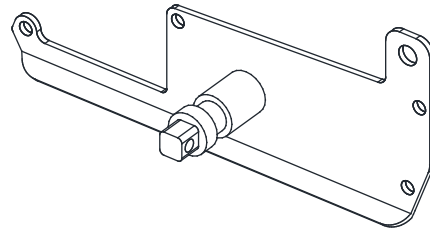




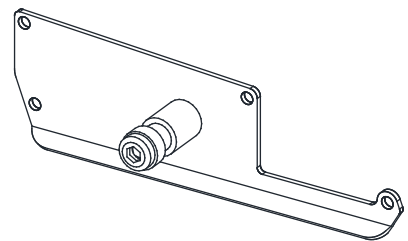
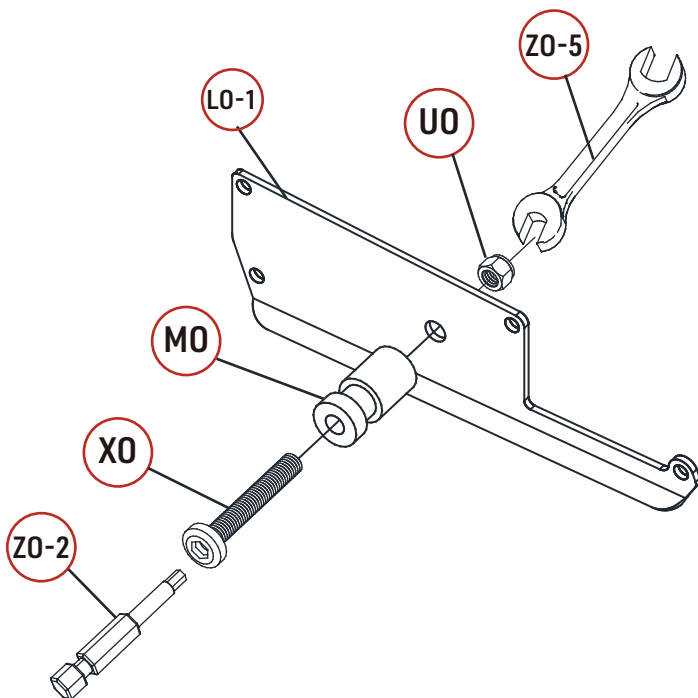




 **K0 X1**

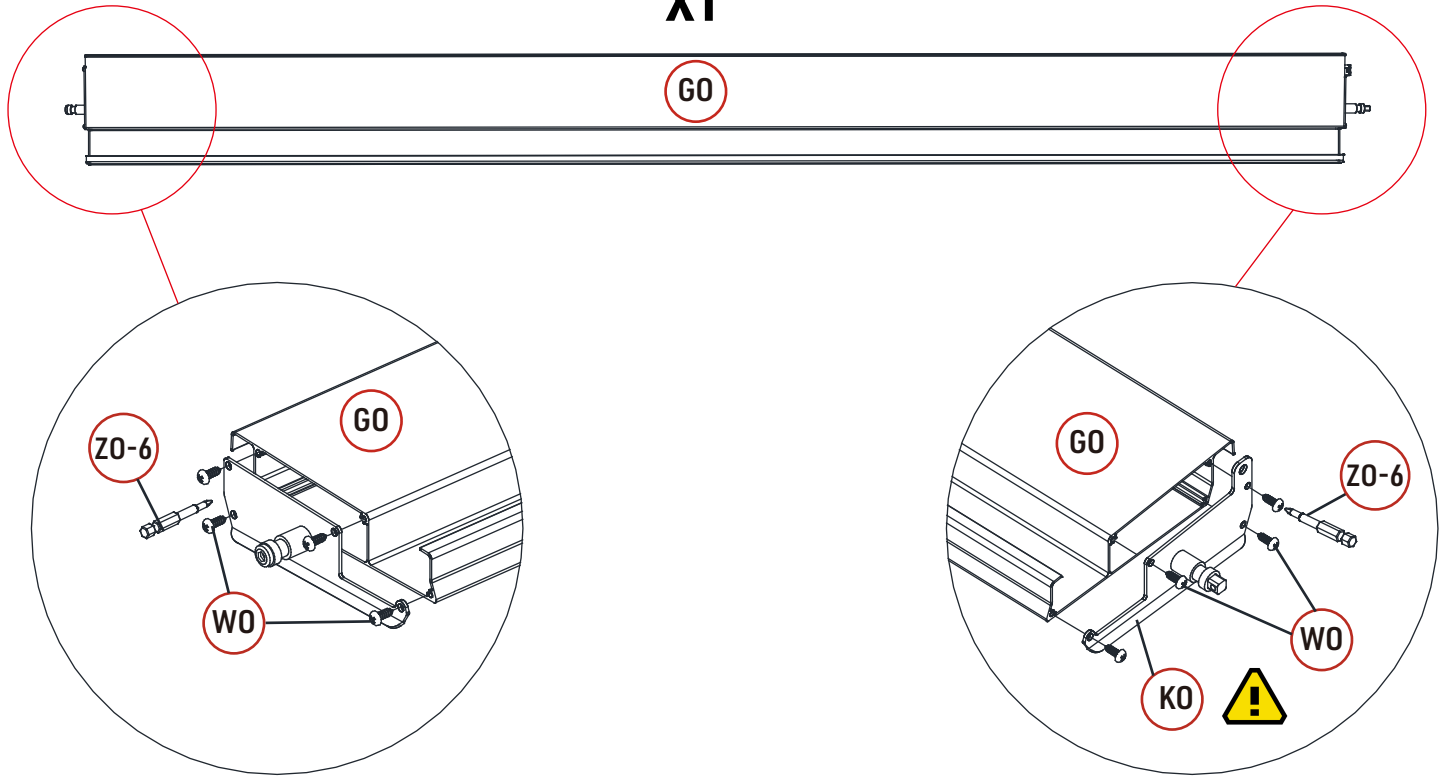


X24



X25

X1



X24

